

EC AXIAL FANS

2023

www.nbare.nl



North Blade Air Refrigeration Engineering B.V designs electric motors and axial fans according to European quality standards. NBARE Specialized in designed external-rotor motor fans, EC fans, shaded pole motors and ECQ motors.

We set out with the aim of transferring our 16 years of experience in refrigeration engineering, which started in 2007, to our customers by establishing our own company in 2023.

Whether you are planning a new ventilation concept, or looking for a replacement for existing hardware, our Multiple Airflow Direction system provides customized solutions to your needs, by combining ventilation- and drive technology in a modular manner.

NBARE product range provides cost efficient, adaptable systems with high protection classes and fulfills national and international requirements (ErP2015, Erp2020, CE, UL). Our worldwide operating team is looking forward to support you with fast solutions to your ventilation and drive technology requirements.

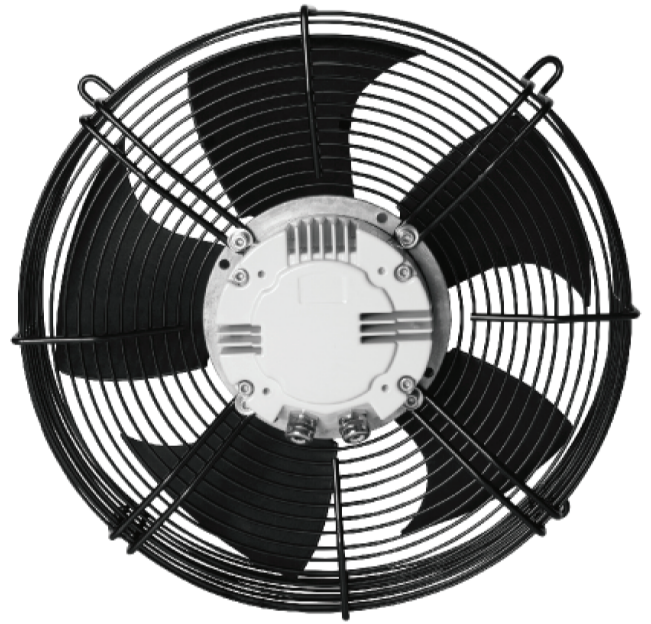
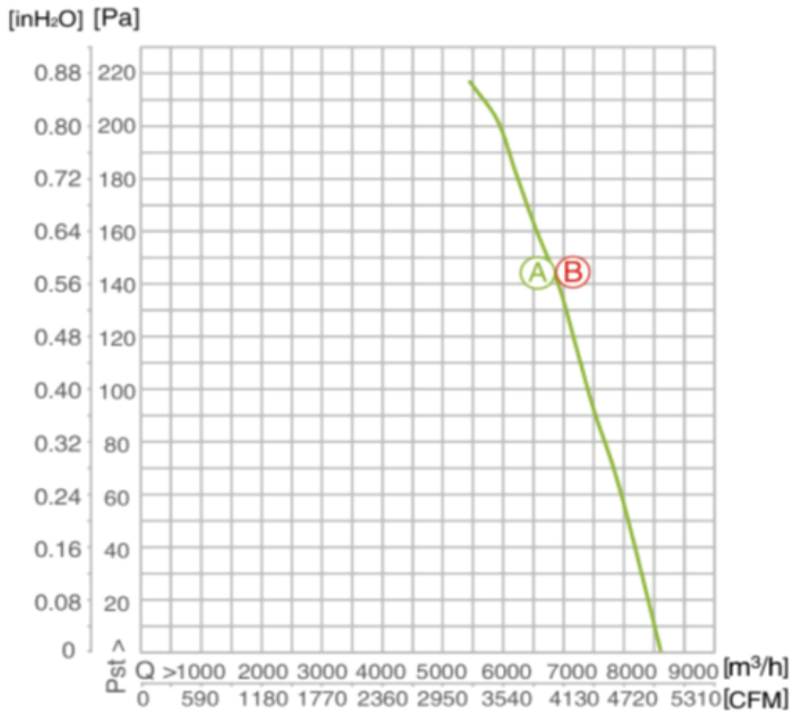
Our products are produced in first-class automatic production lines in accordance with ISO9001:2015 quality standards. Its quality is guaranteed.

NBARE offers:

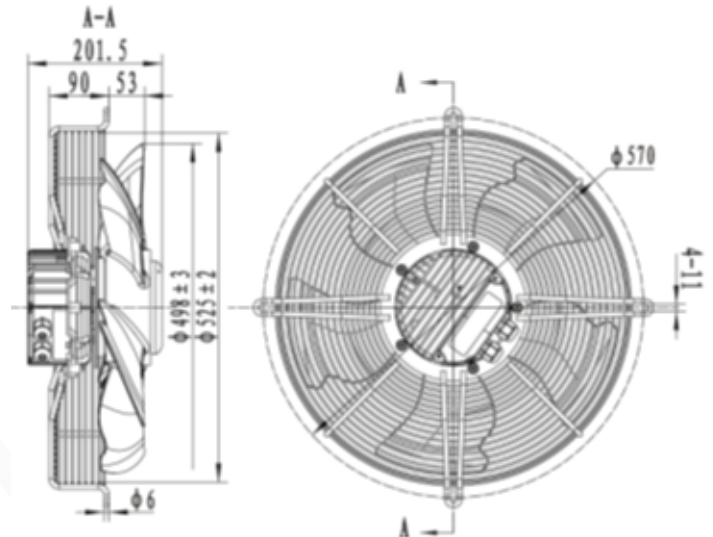
- high efficiency
- high protection classes
- low noise levels
- flexible air flow direction
- high durability
- special corrosion-resistant materials

Note: Performance curve is tested with our wall plate.

EC AXIAL FANS Ø500mm

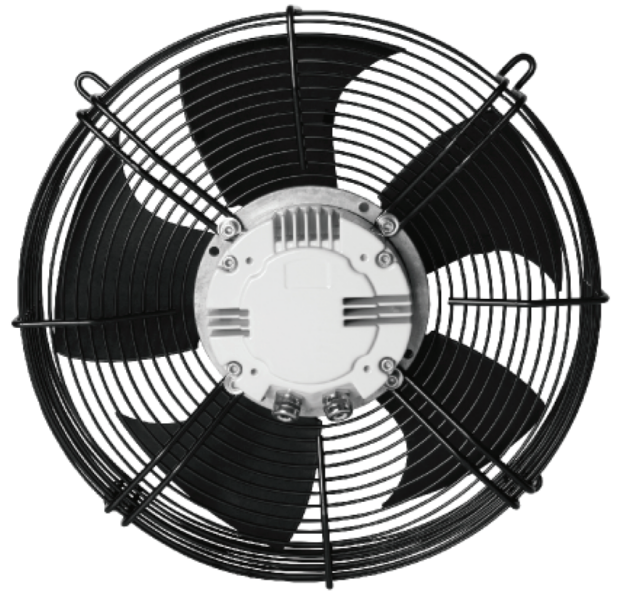
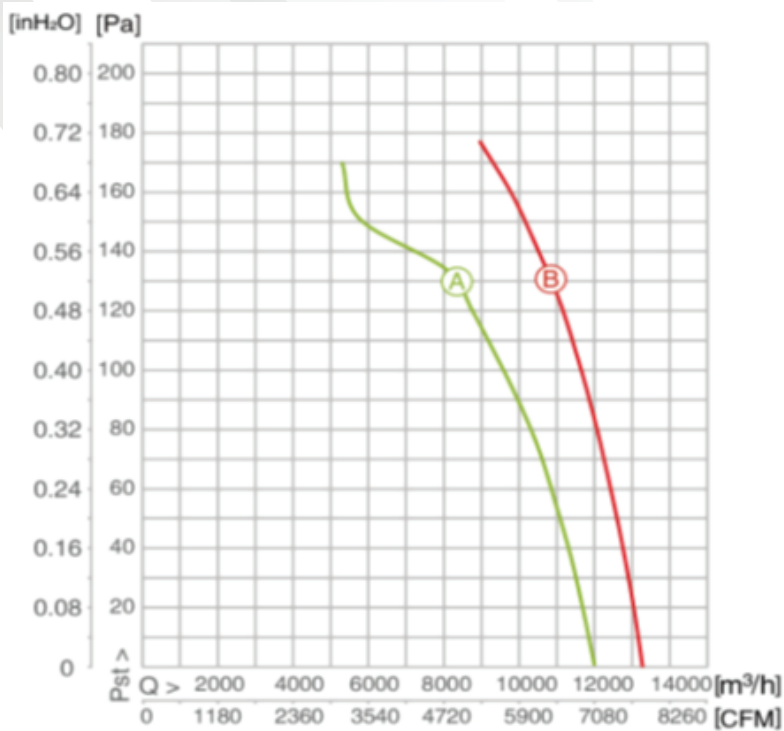


Steel Fan Blade, Coated in Black Rotor, DieCast aluminum Electronics Enclosure
5-Pack Fan Blade
IP54, F-Class Insulation
Horizontal or Vertical Mounting Position
Maintenance-Free Ball Bearings
Control input 0 -10V, DC/PWM Control Input 4 -20mA, Including Active PFC Circuit, Speed Signal Feedback, Single Auxiliary Output Power Supply 10V DC±%10
Current Limitation, Stall Protection, Soft Start Protection, Open Phase Protection, Overheating Protection
CE, UL Certified Approvals
-25/+60 °C Ambient Temp.

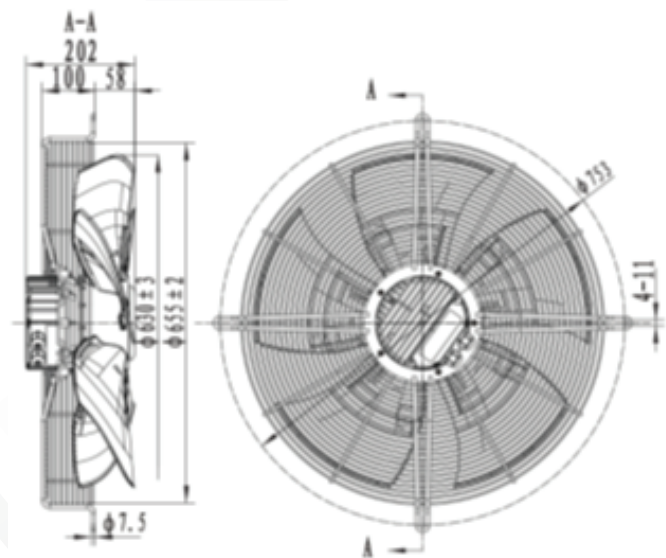


Model	Voltage V	Freq. Hz	Curve NO	Power W	RPM min-1	Current A	Noise dB(A)	Wiring Diagram
NB500P4-MECS1-S	1~230	50/60	A	498	1750	2,31	72	P64
NB500P4-TECS1-S	3~400	50/60	B	488	1750	0,93	72	P65

EC AXIAL FANS Ø630mm

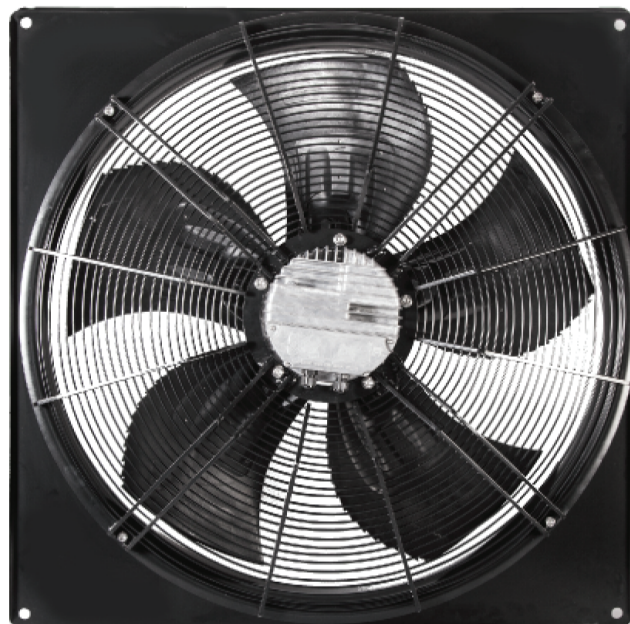
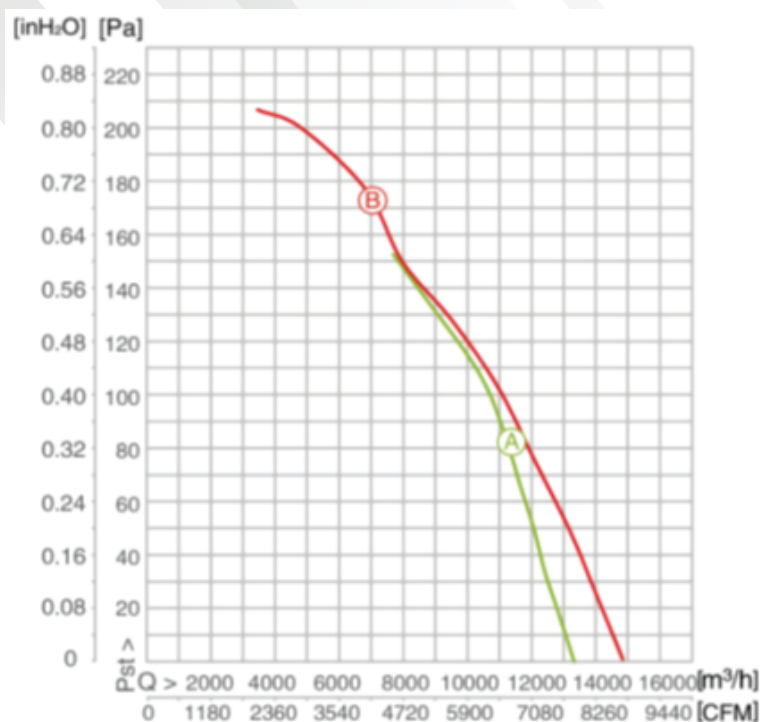


Steel Fan Blade, Coated in Black Roter, Die	-Cast aluminum
Electronics Enclosure	
5-Pack Fan Blade	
IP54, F-Class Insulation	
Horizontal or Vertical Mounting Position	
Maintenance-Free Ball Bearings	
Control input 0 -10V, DC/PWM Control Input 4 -20mA, Including Active PFC Circuit, Speed Signal Feedback, Single Auxiliary Output	
Power Supply 10V DC±%10	
Current Limitation, Stall Protection, Soft Start Protection, Open Phase Protection, Overheating Protection	
CE, UL Certified Approvals	
-25/+60 °C Ambient Temp.	

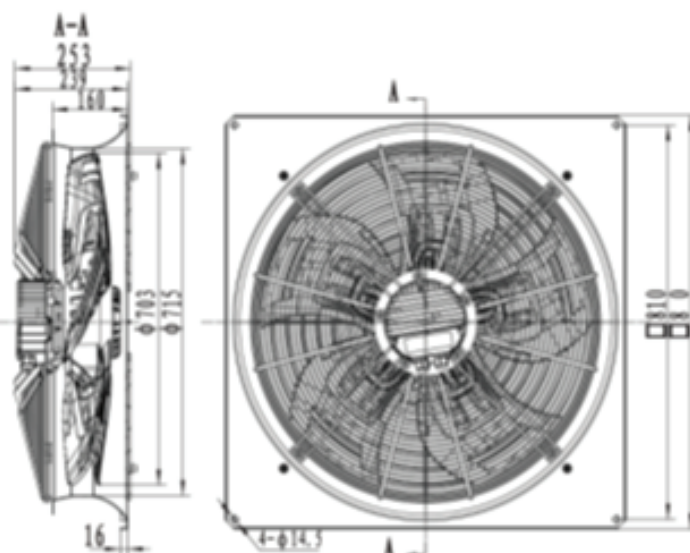


Model	Voltage V	Freq. Hz	Curve NO	Power W	RPM min-1	Current A	Noise dB(A)	Wiring Diagram
NB630P6-MECS1-S	1~230	50/60	A	614	1050	2,67	67	P64
NB630P6-TECS1-S	3~400	50/60	B	887	1200	1,57	70	P65

EC AXIAL FANS Ø710mm

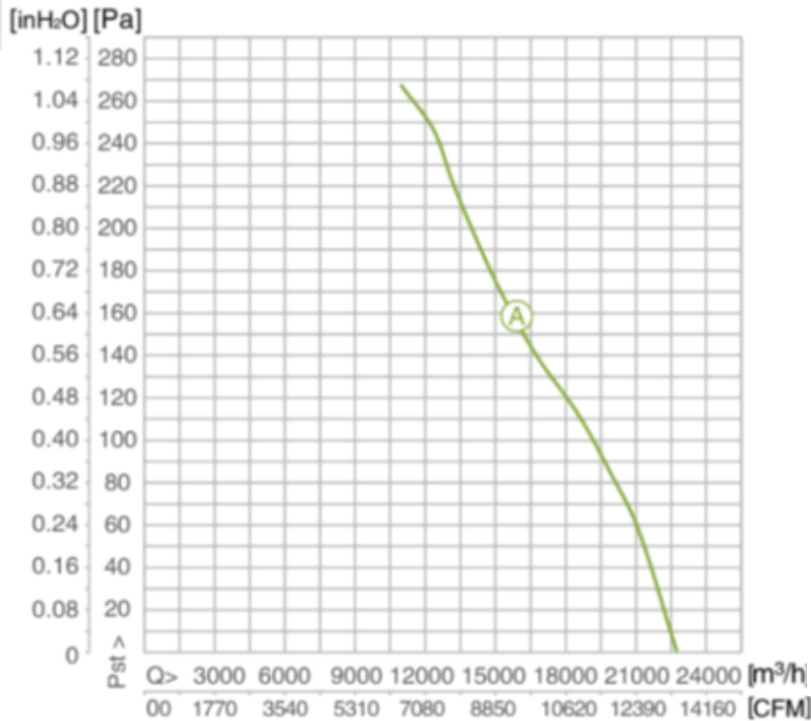


Steel Fan Blade, Coated in Black Roter, Die Electronics Enclosure	-Cast aluminum
5-Pack Fan Blade	
IP54, F-Class Insulation	
Horizontal or Vertical Mounting Position	
Maintenance-Free Ball Bearings	
Control input 0 -10V, DC/PWM Control Input 4 -20mA, Including Active PFC Circuit, Speed Signal Feedback, Single Auxiliary Output Power Supply 10V DC±%10	
Current Limitation, Stall Protection, Soft Start Protection, Open Phase Protection, Overheating Protection	
CE, UL Certified Approvals	
-25/+60 °C Ambient Temp.	



Model	Voltage V	Freq. Hz	Curve NO	Power W	RPM min-1	Current A	Noise dB(A)	Wiring Diagram
NB710P6-MECW1-S	1~230	50/60	A	662	1150	2,89	66	P64
NB710P6-TECW1-S	3~400	50/60	B	694	1200	1,19	69	P65

EC AXIAL FANS Ø800mm



Plastic, GF or Aluminium Alloy Fan Blade, Coated in Black Roter, Die Cast aluminum Electronics Enclosure

5-Pack Fan Blade

IP54, F-Class Insulation

Horizontal or Vertical Mounting Position

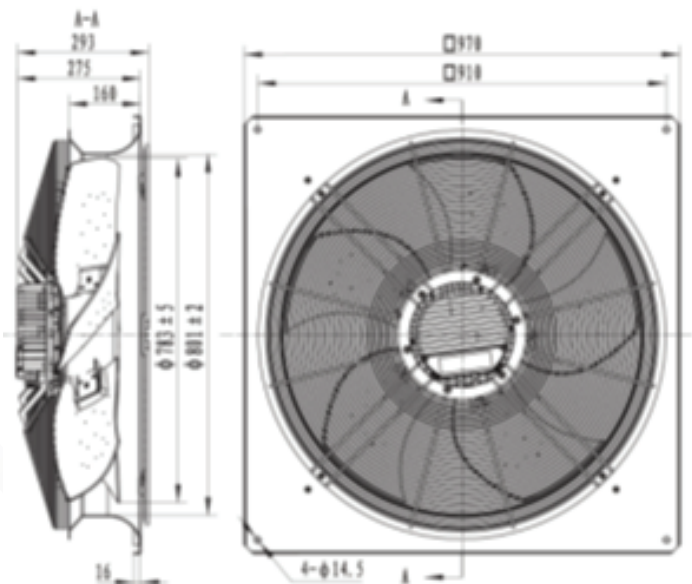
Maintenance-Free Ball Bearings

Control input 0 -10V, DC/PWM Control Input 4 -20mA, Including Active PFC Circuit, Speed Signal Feedback, Single Auxiliary Output Power Supply 10V DC±%10

Current Limitation, Stall Protection, Soft Start Protection, Open Phase Protection, Overheating Protection

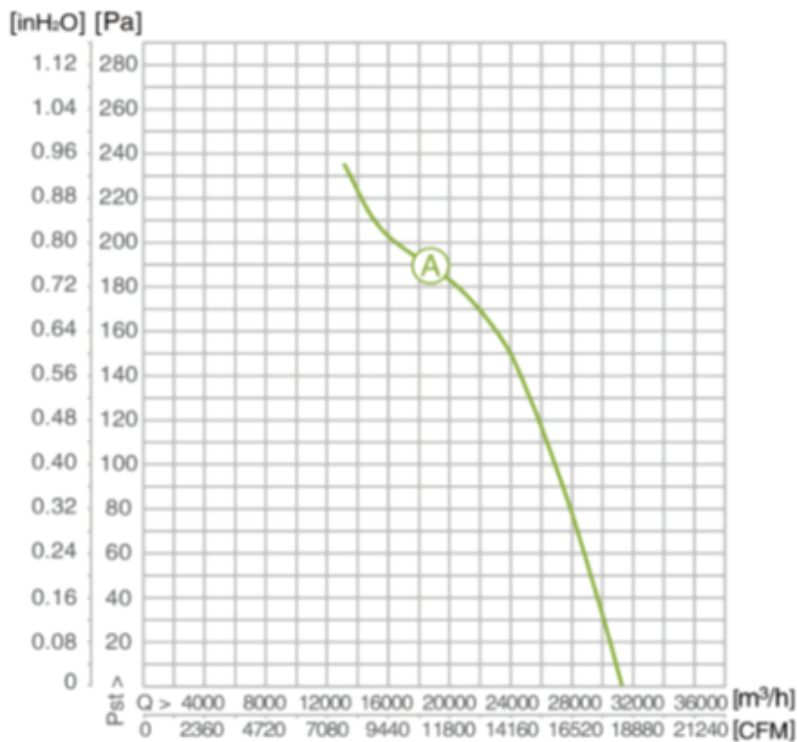
CE, UL Certified Approvals

-25/+60 °C Ambient Temp.

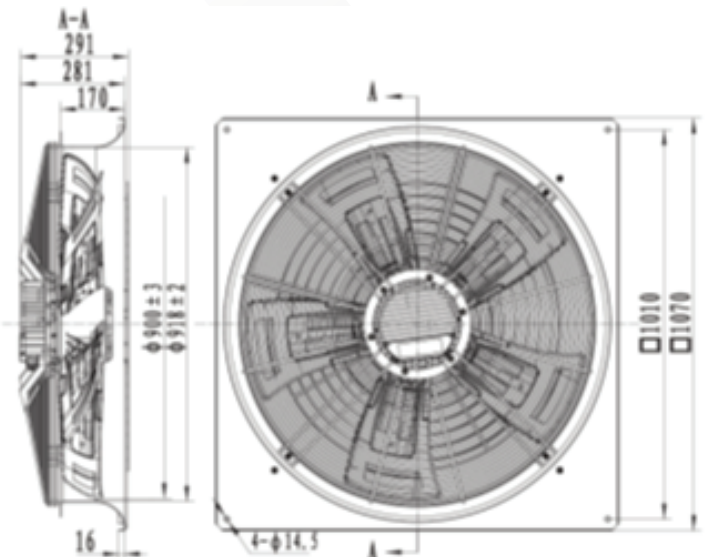


Model	Voltage V	Freq. Hz	Curve NO	Power W	RPM min-1	Current A	Noise dB(A)	Wiring Diagram
NB800P6-TECW1-S	3~400	50/60	A	1500	1000	2,50	74	P66

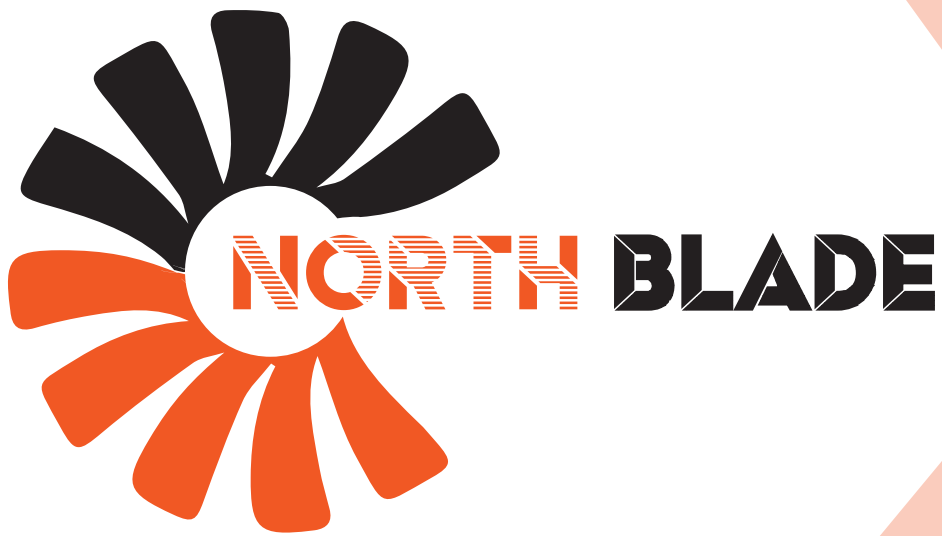
EC AXIAL FANS Ø900mm



Plastic Fan Blade, Coated in Black Roter, Die -Cast Aluminum
Electronics Enclosure
5-Pack Fan Blade
IP54, F-Class Insulation
Horizontal or Vertical Mounting Position
Maintenance-Free Ball Bearings
Control input 0-10V, DC/PWM Control Input 420mA, Inculding Active PFC Circuit, Speed Signal Feedback, Single Auxiliary Output Power Supply 10V DC±%10
Current Limitation, Stall Protection, Soft Start Protection, Open Phase Protection, Overheating Protection
CE, UL Certified Approvals
-25/+60 °C Ambient Temp.



Model	Voltage V	Freq. Hz	Curve NO	Power W	RPM min-1	Current A	Noise dB(A)	Wiring Diagram
NB900P6-TECW1-S	3~400	50/60	A	1645	940	2,79	76	P66



Regus-Schiphol Airport Tetra
Siriusdreef 17 2132WT Hoofddorp
Amsterdam / Netherlands



+31 23 744 0235

www.nbare.nl

